

APPLICATION DATA SHEET

Wed : www.saenchotesei.com

WWW.OLIVER-IGD.CO.UK

OLIVER IGD

Control Systems

Transmitters

Sensors

Accessories



TOCSIN 700+ Detector Control Panel

- Wall mounting or 19" Rack Versions
- 24V DC or 110/230VAC operation
- 24V Independent Audio/Visual Alarm driver
- Volt free contact outputs
- Digital display showing gas concentration
- Serially addressable detector options
- Battery backup options
- Optional additional input/output cards
- Easy installation
- Modbus Output Option

The Tocsin 700 + provides ultimate system flexibility for small gas detection systems up to 64 detectors in size .The Tocsin 700 + control panel is compatible with all the Tocsin range of Toxic ,Flammable and Oxygen detectors and transmitters . Additionally the Tocsin 700 detector control panel can be configured to accept inputs from industry standard smoke and heat detectors .To compliment the system a range of accessories ,calibration sets and audio visual alarms are available .

Specification

Power Source	85 to 264 VAC (18 to 30 VDC Option)
Power Consumption	60 Watts (basic) 150 Watts (700+)
Display	2 x 16 backlight LCD
Operating Temperature	0°C to 55°C
Operating Humidity	Up to 95% non-condensing
Resolution	0.00% or ppm Range Dependant
Update Rate	1 Second
Size (mm)	255 (H) x 265 (W) x 100 (D)
Protection	Standard IP54. With seal kit option fitted IP55
Inputs	Up to 4 or up to 8 x 4-20mA loops
Inputs (Optional)	Additional 8 analogue 4-20mA loops 2 x RS485 data highways for up to 64 detectors (700+)
Outputs (Standard)	3 x configurable SPCO relays (5 Amp non conductive load) 1 x fault SPCO relays (5 Amp non conductive load) 1 x solid state audio/sounder 24VDC 1 x solid state visual/flasher 24VDC
Outputs (Optional)	Up To 32 x configurable SPCO relays 5 Amp non inductive load Up To 16 x Analogue Outputs (4 per additional card) Up To 32 x Addressable Relay Outputs
Optional Equipment	Battery backup module 7AH 255 (H) x 265 (W) x 100 (D)
CE Declaration	BS EN61000-6-4 EMC Compatibility 'Emissions' BS EN 61000-6-2:2001 EMC Compatibility 'Immunity' BS EN 61010-1: 2001 Safety requirements, electrical equipment
Weight	4.6 KG

Sensors Options For

Flammable Gases
Carbon Dioxide
Carbon Monoxide
Nitric Oxide
Nitrogen Dioxide
Hydrogen Cyanide
Chlorine
Hydrogen Sulphide
Ammonia
Oxygen
Sulphur Dioxide
Hydrogen Chloride

Smoke Detectors
Heat Detectors



International Gas Detectors

CH₄ H₂S CO₂
NO₂ SO₂ NO CO



Pepper Road
Bramhall Technology Park
Stockport
SK7 5BW
England

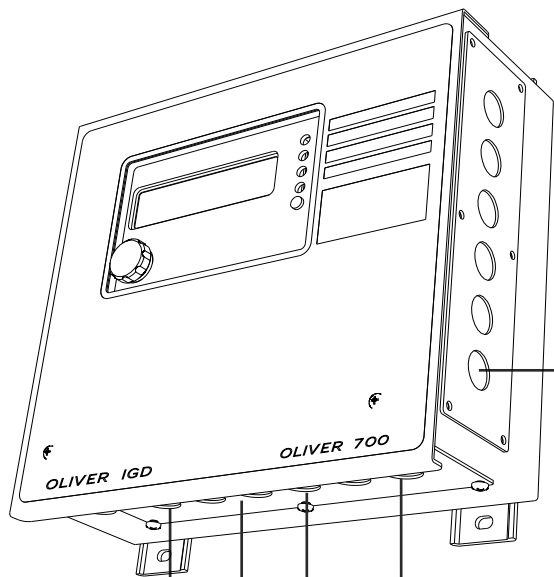
Tel: +44 (0)161 483 1415
Fax: +44 (0) 161 484 2345
Email: sales@oliver-igd.co.uk
Website: www.oliver-igd.co.uk



023827
Ref ROS66-7

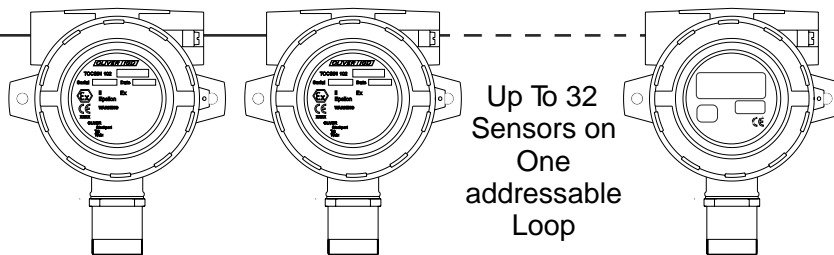
TOCSIN 700+

Detector Control Panel Detector Options



For non hazardous area use Tocsin 103 series detectors are available as both 4-20mA analogue or RS485 addressable units.

For further information refer to the Tocsin 103 and Tocsin 102 series detector data sheets.



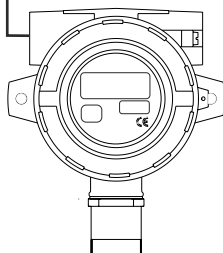
Up To 32 Sensors on One addressable Loop

Tocsin 102A
Flammable
Infra-Red

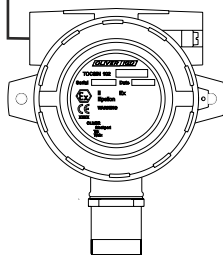
Tocsin 102A
Flammable
Pellistor

Tocsin 102A
Toxic
Gases or
Oxygen

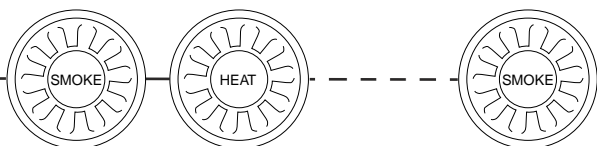
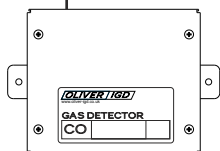
Any Tocsin 102 Available with Tocsin 903 Local Display/Controller Using 4-20mA Process Output to Tocsin 700 Control Panel.



Pellistors for wide application flammable gas detection, Infra Red detectors for CO₂ and targeted flammable gases. Electrochemical detectors for toxic gases and Oxygen detection.



Tocsin 102 or 103 Series detectors either 2 or 3 wire 4-20mA output.



Industry standard smoke and heat detector inputs. Up to 32 sensors per zone. Max 8 zones.

Notes:

Basic Tocsin 700 is supplied with 60W PSU and can accommodate up to 16 Analogue Detectors.

The Tocsin 700+ is supplied with a 150W PSU and can accommodate up to 64 detectors a mix of analogue and addressable types. Note that the maximum number of analogue detectors is 16.

Battery backup and additional I/O modules require additional accessory housings.



International Gas Detectors

CH₄ H₂S CO₂
NG SO₂ NO_x CO



Pepper Road
Bramhall Technology Park
Stockport
SK7 5BW
England

Tel: +44 (0)161 483 1415
Fax: +44 (0) 161 484 2345
Email: sales@oliver-igd.co.uk
Website: www.oliver-igd.co.uk

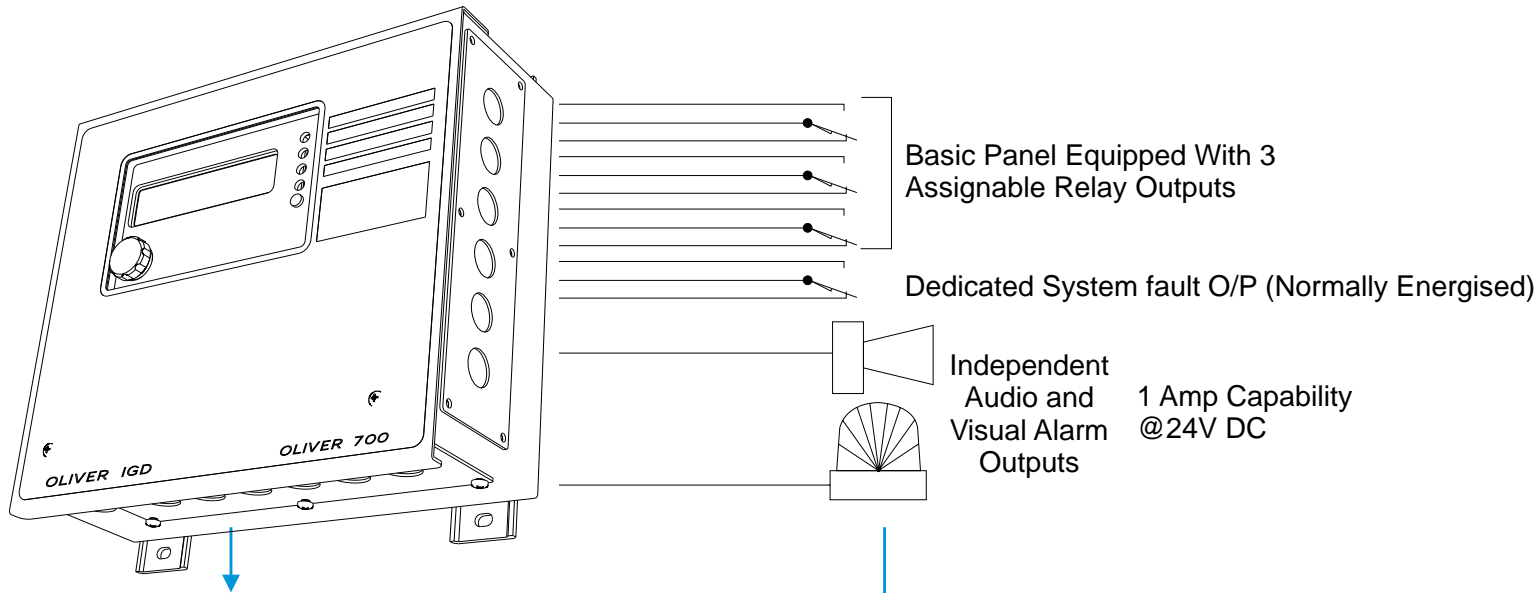


023827
Ref ROS66-7

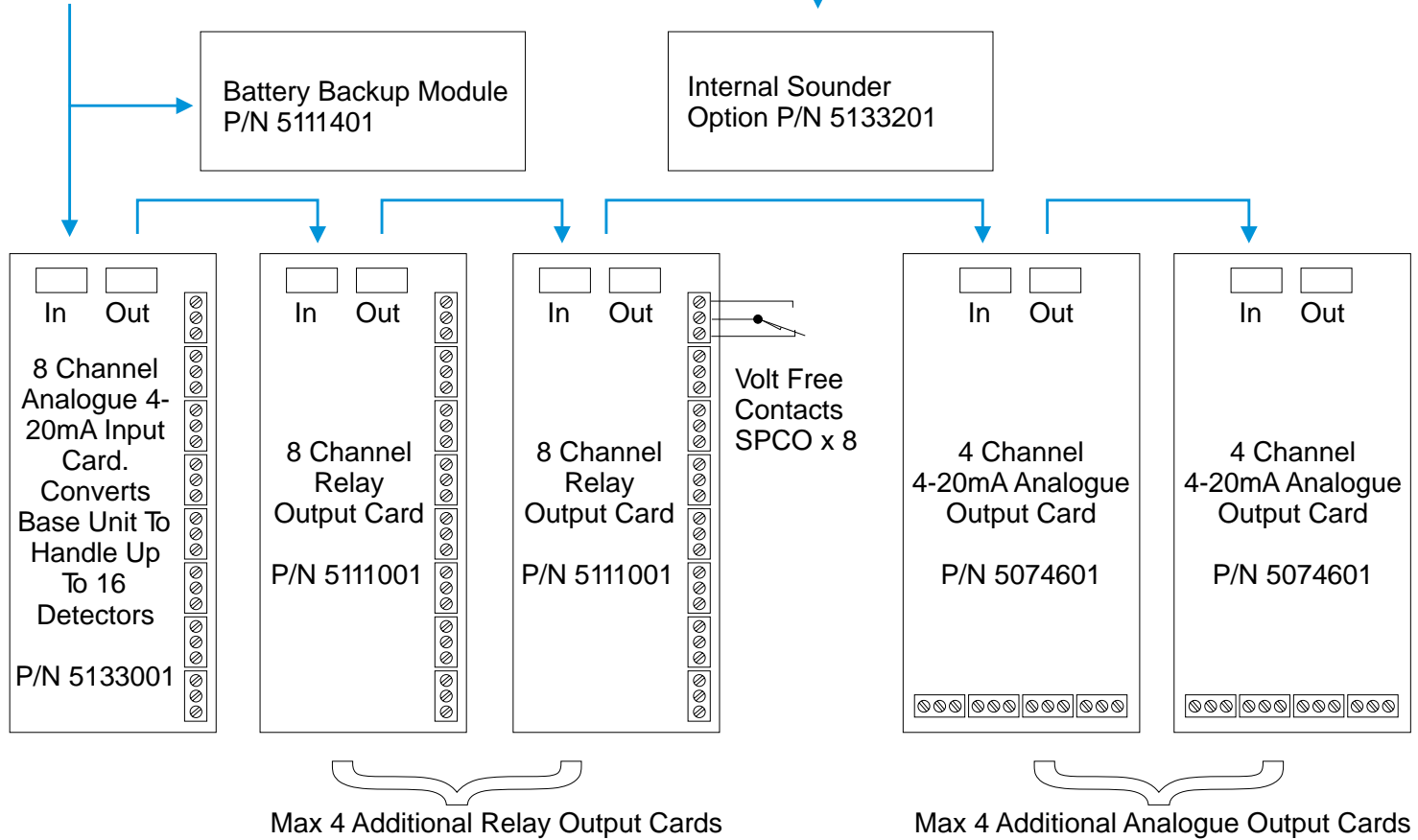
TOCSIN 700+

Detector Control Panel I/O Options

Standard Panel I/O



Optional I/O Modules



Notes

Additional I/O Modules can be supplied pre installed into the Tocsin 700 Accessory case ready mounted to the Tocsin 700 control panel or separately to allow for inclusion into custom panel builds. Please contact the sales office for further details.



International Gas Detectors

CH₄ H₂S CO₂
 NH₃ SO₂ NO₂ CO



Pepper Road
 Bramhall Technology Park
 Stockport
 SK7 5BW
 England

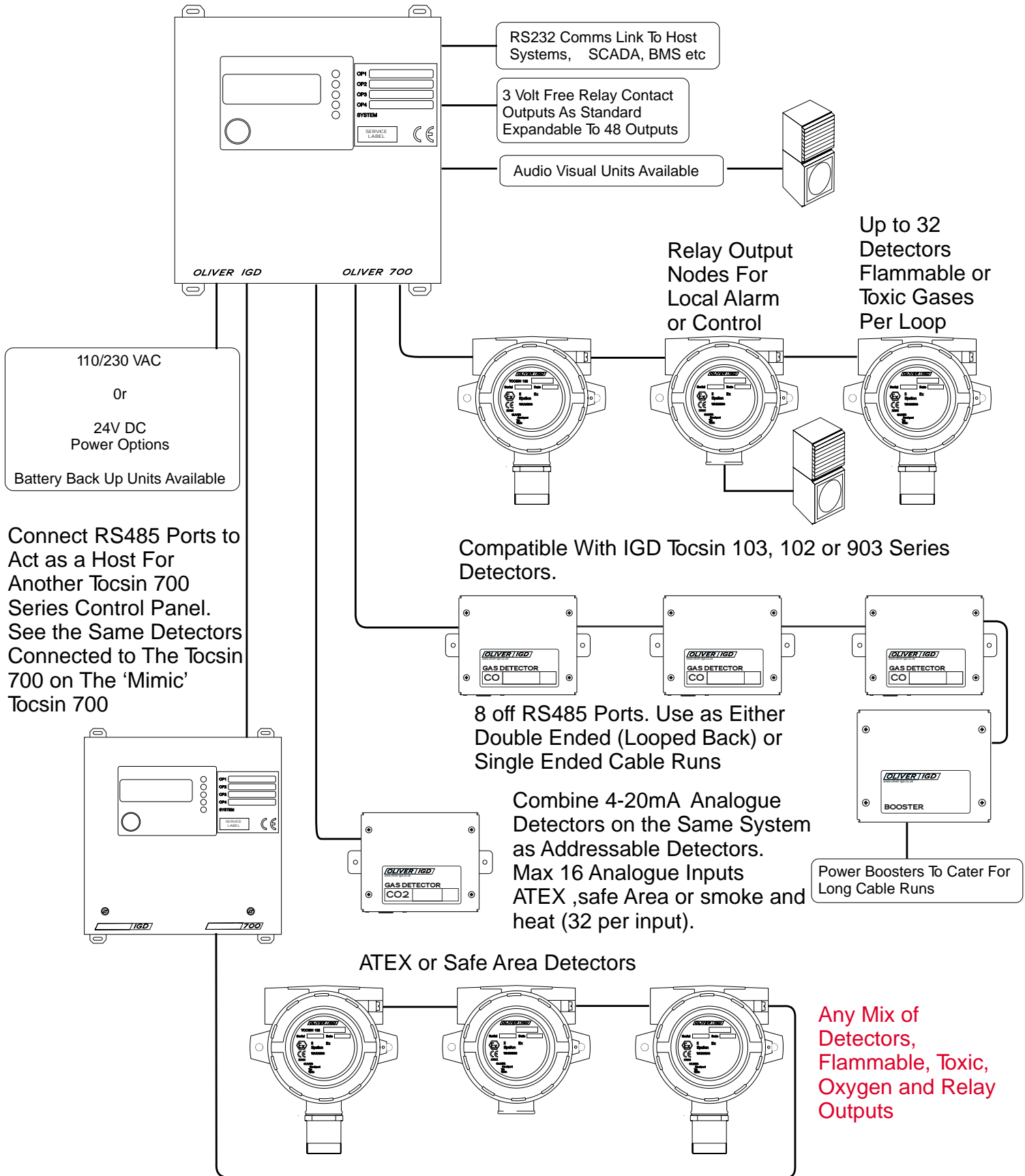
Tel: +44 (0)161 483 1415
 Fax: +44 (0) 161 484 2345
 Email: sales@oliver-igd.co.uk
 Website: www.oliver-igd.co.uk



023827
 Ref ROS66-7

TOCSIN 700+

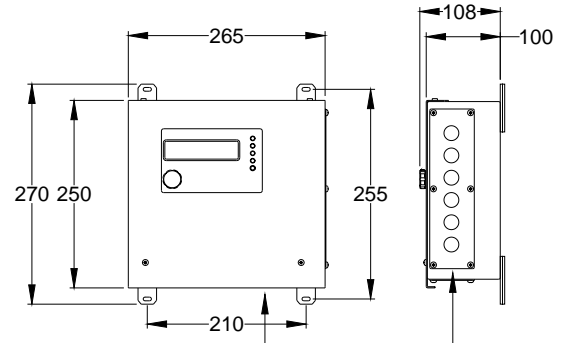
Possible System Configurations



TOCSIN 700+

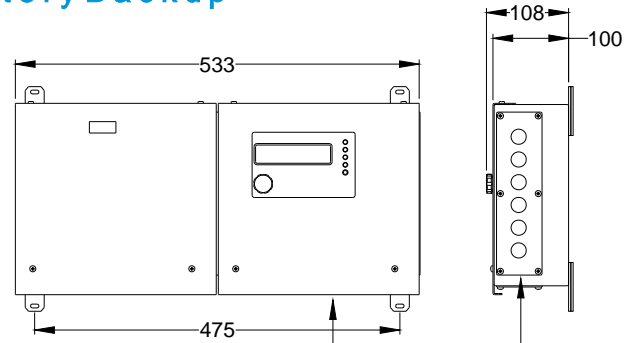
Detector Control Panel Options

Standard Tocsin 700 IP54/55



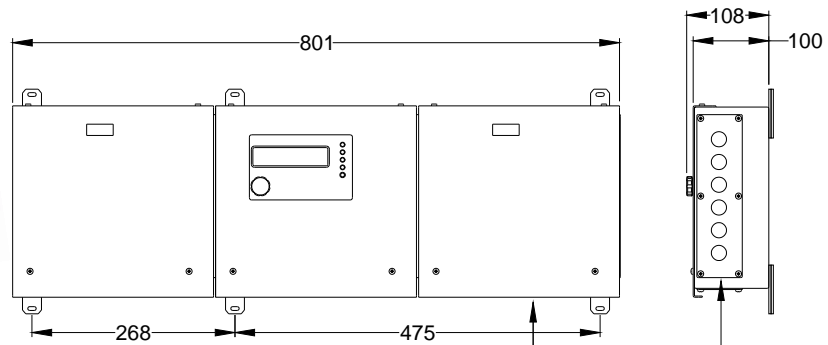
20mm GLAND ENTRY PLATES TO SIDE AND BOTTOM

Tocsin 700 IP54/55 With Accessory Case or Battery Backup



20mm GLAND ENTRY PLATES TO SIDE AND BOTTOM

Tocsin 700 IP54/55 With Accessory Case and Battery Backup



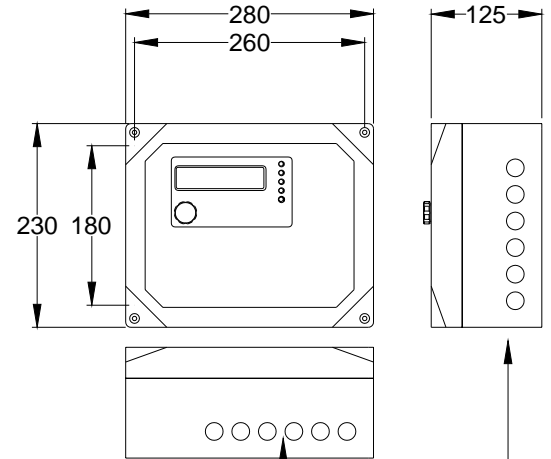
20mm GLAND ENTRY PLATES TO SIDE AND BOTTOM

Accessory cases can be added to the Tocsin 700 main panel to house either battery backup modules or additional I/O cards (relays, analogue inputs or outputs). Accessory cases are factory fitted items and should be specified when ordering.

TOCSIN 700+

Detector Control Panel Options

Tocsin700 IP66 Version

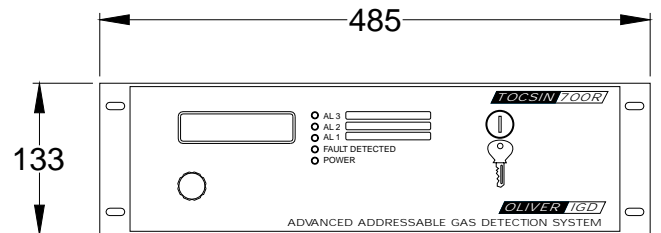


20mm GLAND ENTRY PLATES TO SIDE AND BOTTOM

Tocsin 700 Wall Mount Systems Sealed to IP66

Single Case Version Only 8 Analogue Channels and/or up to 64 Addressable Detectors

Tocsin700 19" Rack Mount Version



19" Rack Mount Format Tocsin 700 Systems. Industry Standard 3U High
19" Rack 500mm Deep. All Connections to the Rear Panel

TOCSIN 700 SERIES CONTROLLERS

5109601	TOCSIN 700 4 ANALOGUE/ADDRESSABLE CHANNELS	CONTROL PANEL 110/230VAC 60W	3 ALARM & 1 FAULT RELAY
5109601DC	TOCSIN 700 4 ANALOGUE/ADDRESSABLE CHANNELS	24V DC POWER SUPPLY	3 ALARM & 1 FAULT RELAY
5109602	TOCSIN 700 4 ANALOGUE/ADDRESSABLE CHANNELS	110/230V AC BUILT IN BATTERY BACKUP	3 ALARM & 1 FAULT RELAY
5110001	TOC 700+ CONTROLLER 8 ANALOGUE UP TO 64 ADDRESSABLE CHANNELS	110/230V AC 150W PSU	3 ALARM & 1 FAULT RELAY
5110001DC	TOC 700+ CONTROLLER 8 ANALOGUE UP TO 64 ADDRESSABLE CHANNELS	24V DC POWERED	3 ALARM & 1 FAULT RELAY
5110005	TOC 700 CONTROL PANEL 8 ANALOGUE UP TO 64 ADDRESSABLE CHANNELS	IP66 VERSION 110/230V AC 150W	3 ALARM & 1 FAULT RELAY
5110801	TOCSIN 700 16 CHANNEL ANALOGUE UP TP 64 ADDRESSABLE CHANNELS	110/230V AC 150W PSU	3 ALARM & 1 FAULT RELAY
5110801DC	TOCSIN 700 16 CHANNEL ANALOGUE UP TP 64 ADDRESSABLE CHANNELS	24V DC POWERED	3 ALARM & 1 FAULT RELAY
5998301	TOCSIN 700+ CONTROLLER 8 ANALOGUE UP TP 64 ADDRESSABLE CHANNELS	24V DC PSU WITH PRINTER	19" RACK SYSTEM
5998302	TOCSIN 700+ CONTROLLER 8 ANALOGUE UP TP 64 ADDRESSABLE CHANNELS	24V DC POWERED	19" RACK MOUNT SYSTEM

TOCSIN 700 SERIES ACCESSORIES

5111101	TOCSIN 700 4 ACCESSORY	ENCLOSURE	USE TO HOUSE ADDITIONAL I/O CARDS
5074301	4-20mA OUTPUT CARD ACCESSORY CASE MOUNTING	4 OUTPUT CHANNELS	AS LINEAR 4-20mA PROCESS
5111001	T700 RELAY OUTPUT CARD ACCESSORY CASE MOUNTING ADDRESSABLE	8 ADDITIONAL RELAY O/P'S	SPCO VOLT FREE
5111401	BATTERY BACK UP MODULE	TOCSIN 700	PRE-MOUNTED IN ACCESSORY CASE
5133001	TOCSIN 700 EXTENDER CARD ACCESSORY CASE MOUNTING	9 TO 16 CHANNELS	4-20mA INPUTS
5111005	700 RELAY CARD DIN RAIL MOUNTING ADDRESSABLE	MOUNTING WITH RIBBON	INTERFACE CABLE
5135201	T700 INTERNAL SOUNDER	OUTPUT, 80dBA	
5138501	TOCSIN 700 PANEL MNT KIT	BASE UNIT ONLY	



International Gas Detectors

OLIVER IGD

Tel.: 662-193-2432 Fax.: 662-193-2438

Tel: +44 (0)161 483 1415
Fax: +44 (0) 161 484 2345
Email: sales@oliver-igd.co.uk
Website: www.oliver-igd.co.uk

