

VAPORIZER



Wed : www.saenchotesei.com

Design Data

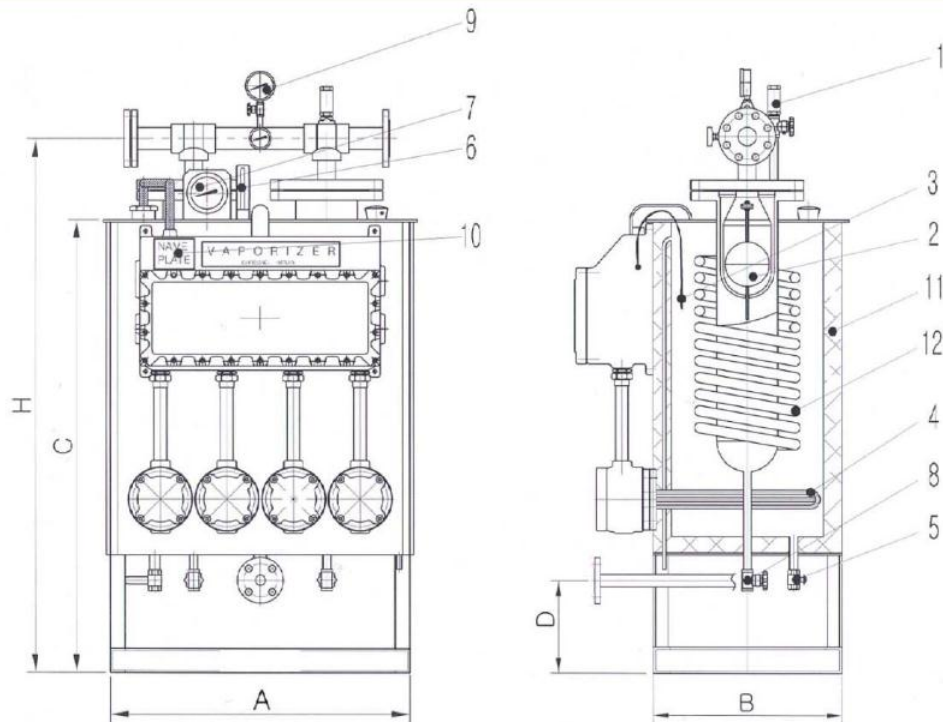
Fluid : LPG, NH₃, CO₂, Cl₂
 Design Pressure
 LPG, CO₂, Cl₂ : 1.8 MPa (kg/cm²)
 NH₃ : 2.2 MPa (22.2 kg/cm²)
 Hydraulic Test
 LPG, CO₂, Cl₂ : 3.0 MPa (kg/cm²)
 NH₃ : 3.7 MPa (37 kg/cm²)
 Airtight Test
 LPG, CO₂, Cl₂ : 1.8 MPa (kg/cm²)
 NH₃ : 2.4 MPa (24 kg/cm²)
 Design Temperature : 100 °C
 Operating Temperature : 60 ~ 70°C
 Safety Setting Pressure
 LPG, CO₂ : 1.8 MPa (kg/cm²)
 Cl₂ : 1.56 MPa (kg/cm²)
 NH₃ : 2.2 MPa (22.2 kg/cm²)
 Heating Source : Electric Heater, Hot Water, Steam

Specification

Model No. HJ-□V- □□

1. Fluid P : LPG **2. Capacity**
 A : Ammonia
 C : Carbon Dioxide
 L : Chlorine

Model	Capacity (kg/hr)	Heat Consumption			End Connection		Weigh (kg)
		Electric (kw/hr)	Hot Water (kcal/hr)	Steam (kg/hr)	Inlet Flanged (A)	Outlet Flanged (A)	
HJ-□V-30	30	5	5,600	9	15	15	150
HJ-□V-50	50	8	7,500	12	15	20	150
HJ-□V-100	100	15	15,000	24	20	25	180
HJ-□V-150	150	22	22,000	35	20	25	240
HJ-□V-200	200	30	30,000	48	20	25	260
HJ-□V-300	300	44	45,000	72	25	40	400
HJ-□V-400	400	60	60,000	96	25	50	550
HJ-□V-500	500	72	75,000	120	25	50	580
HJ-□V-600	600	88	90,000	144	40	50	700
HJ-□V-800	800	120	120,000	192	40	80	900
HJ-□V-1000	1000	156	150,000	240	50	80	1050
HJ-AV-30	30	16	15,000	20	15	25	200
HJ-AV-50	50	24	22,000	35	20	40	300
HJ-AV-100	100	40	37,000	60	25	50	400
HJ-AV-150	150	60	56,000	90	25	50	500
HJ-AV-200	200	80	75,000	120	40	80	700
HJ-AV-300	300	120	114,000	180	50	100	1,200
HJ-AV-400	400	160	150,000	240	50	125	1,500
HJ-AV-500	500	200	190,000	300	80	125	2,000
HJ-AV-600	600	240	227,000	360	80	150	2,500



Dimension

Model	Dimension				
	A (mm)	B(mm)	C(mm)	D(mm)	H(mm)
HJ-□V-30	440	440	916	210	1,096
HJ-□V-50	440	440	916	210	1,096
HJ-□V-100	500	500	916	210	1,096
HJ-□V-150	600	500	1,166	210	1,366
HJ-□V-200	660	500	1,166	210	1,366
HJ-□V-300	800	500	1,226	250	1,446
HJ-□V-400	950	600	1,426	250	1,646
HJ-□V-500	950	750	1,426	250	1,646
HJ-□V-600	950	750	1,426	250	1,646
HJ-□V-800	1,300	800	1,390	260	1,600
HJ-□V-1000	1,500	800	1,390	300	1,600
HJ-AV-30	600	500	210	210	1,100
HJ-AV-50	800	600	310	310	1,540
HJ-AV-100	1000	800	310	310	1,540
HJ-AV-150	1250	800	310	310	1,600
HJ-AV-200	1250	800	310	310	1,600
HJ-AV-300	1500	800	350	350	1,700
HJ-AV-400	1600	800	350	350	1,800
HJ-AV-500	1800	1,000	400	400	1,800
HJ-AV-600	2000	1,000	400	400	1,800

Material

No	Part name	Material
1	Safety Valve	SUS
2	Liquid over flow prevention Ball	SUS
3	Temperature Gauge	SUS
4	Electric Heater	SUS
5	Water drain Valve	SUS
6	Water level Gauge	Arcryl
7	Temperature Gauge	SUS
8	Gas drain Valve	SUS
9	Pressure Gauge	SUS
10	Name Plate	SUS
11	Insulation	Glass wool
12	Heat exchange Coil	STPG38

Notes

1. There are three options in each model depending on availability of heat source, electricity, hot water or steam.
2. Electricity may be either 220V with single phase or 220V, 380V and 440V with 3 phase.
3. Hot water temperature range is 70°C to 90°C.
4. Steam pressure should be 0.6 to 1.2 kg/cm²
5. All electric heating system is fitted with pressurized flameproof.

Hesd office : Saenchote Electric Instrument co., Ltd.

36/206 Moo 14 T. Klongnueng, A. Klongluang, Pathumthani 12120 Thailand

Tel. : 662-193-2432 Fax.: 662-193-2438

E-mail : chotsaksei_p@hotmail.com Wed : www.saenchotesei.com

100kg/hr HANJIN Vaporizer



Electric Control Panel



LPG Vaporizer(HANJIN) have two part

1. **LPG Vaporizer 100kg/hr. 1 unit**
2. **Electric Control Panel 1 unit**

